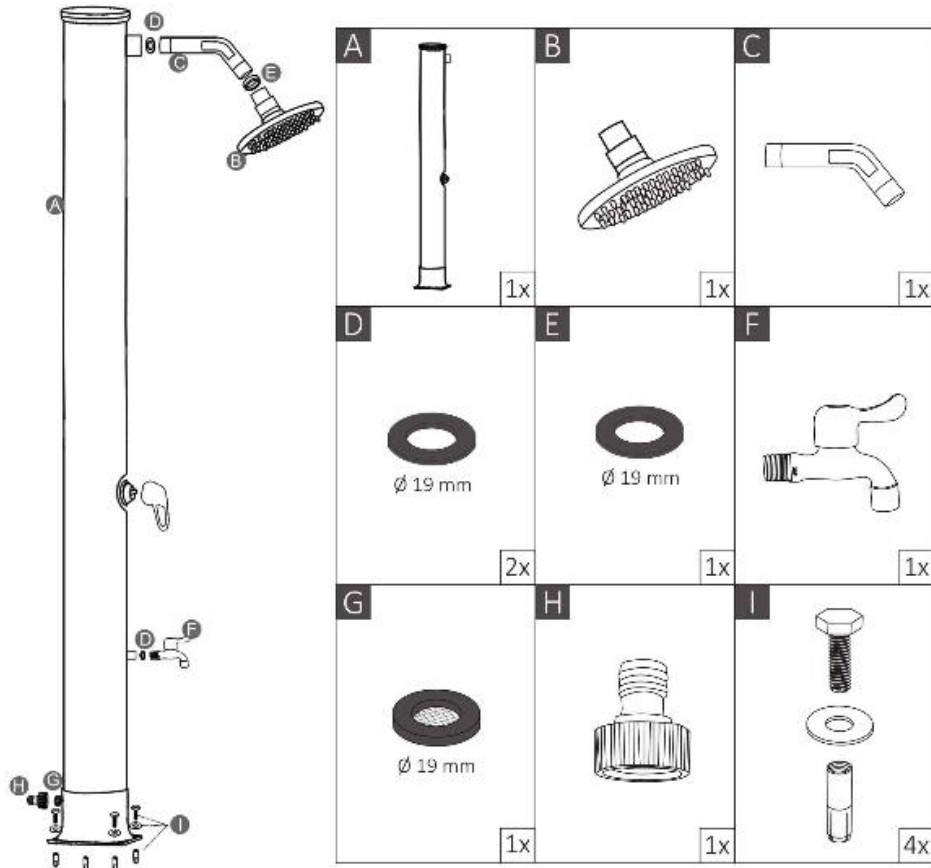


Solar shower instruction



Assembly Instructions

1. Choose a location which will receive as much as possible sunlight for your solar shower.
2. Attach shower head(B) with gasket(E) to the extension pipe(C). Attach the extension pipe(C) with gasket(D) into the upper thread of the body (A). Adjust this parts only with your hands. Do not use a wrench.
3. Mount the body(A) to concrete slab or wood base with four bolts, washers and nuts(I). We recommend using wrench.
4. Attach the hose connector(H) with gasket(G) into the bottom thread of the body (A). Connect the hoses into hose connector(H).
5. Attach the footwash(F) with gasket(D) into the middle thread of the body (A).

Initial Set up of the Solar Shower

1. Open the handle and turn it to position „hot“ . This ensures that no air pockets are trapped in the hoses while filling with water.
2. Attach your garden hose to the hose connector(H). Turn on the water to fill the solar shower. It will take some minutes to full up the solar shower.
3. When the water flows out of the shower head (B) turn the handle off. Now the solar shower begins to heat the water.
4. Depending on available sunlight and outside temperature, the solar shower will take about two hours to fully heat the water.
5. Water temperature in the solar shower can reach up to 60 degrees during strong sunshine.

WARNING: To avoid scald, pay attention to turn the handle to „cold“ water position before using the solar shower. Then adjust the desired temperature.

Winterization

1. Turn off and disconnect the garden hose.
2. Open the handle and turn it to position „ hot“ to allow the water to drain out of the hoses and solar shower(This takes app. 8-10 minutes). Do not touch or turn the handle while draining, otherwise the water will stop draining out.
3. Please disconnect the hose connection. Now the water can run out of the solar shower.
4. Clean and dry all solar shower parts.
5. Store all solar shower parts indoors and in a dry place during winter season to prevent frostbite.

Attention

- Do not use salt or other anti freezing methods.
- Recommended water pressure: maximum 3,5 bars. Without any circumstances should the solar shower be operated by an additional pump or domestic water supply.
- The heating of the water results an expansion of the water. This allows the water to escape minimally out of the shower head.
- When initial use the shower in order to rid of plastic and oil smell, please let water run out for several minutes and clean the shower inner parts with flowing water.